
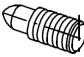



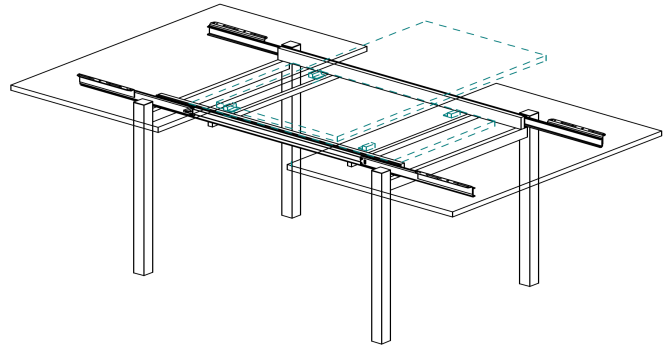
## **Index 4 – Special solutions**

- 4.1 Garden table: extension “Ariane II”, synchronic, moving cable break, with special clip for sheltered outdoor area (stainless steel cable and balls), for 1 leaf insert – width of leaf insert: see table – ..... 44
  
- 4.2 Glass table: extension “Klara”, synchronic, for 1 leaf insert – width of leaf insert: see table – ..... 45

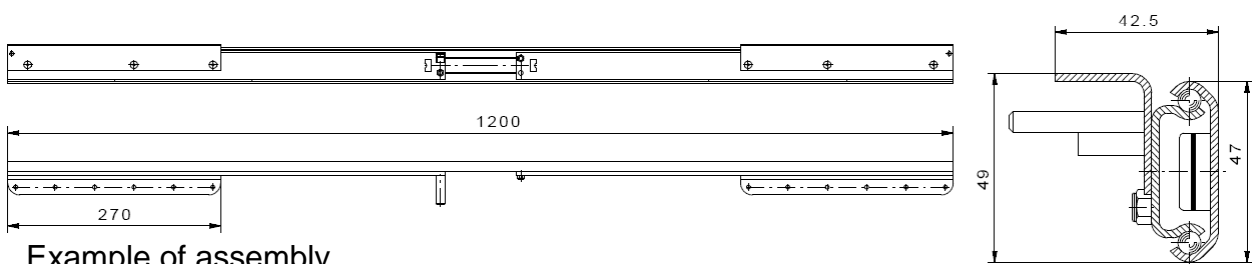
## 4. Special solutions

### 4.1 Garden table: extension “Ariane II”, synchronic, moving cable break, with special clip for sheltered outdoor area (stainless steel cable and balls), for 1 leaf insert – width of leaf insert: see table –

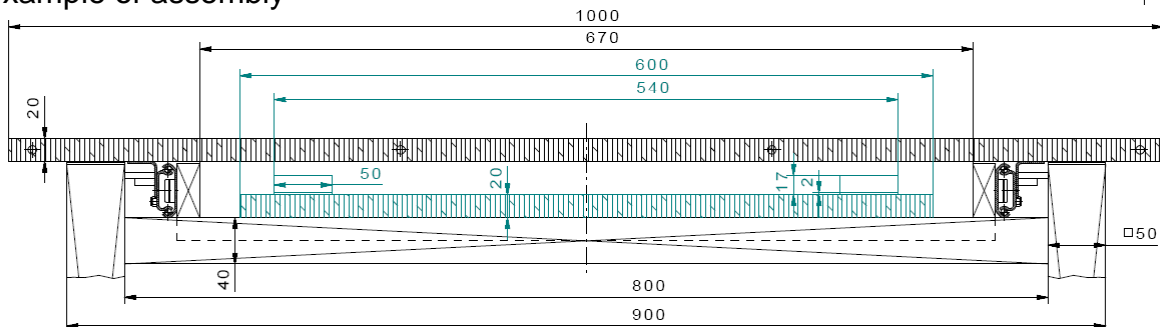
accessories for table with 1 leaf insert			
article no.	description	quantity	
see table	extension	2 pcs.	
70*120000080D	screw anchor Ø 8 mm	12 pcs.	
70*120000080H	socket Ø 8 mm	12 pcs.	



article no.	fitting length “X” mm	total length (with extension) mm	opening max. mm	height “Y” mm	width of leaf inserts mm	number of leaf inserts pcs.	load capacity max. N
13*2001200835	1200	1940	835	75	600	1	900



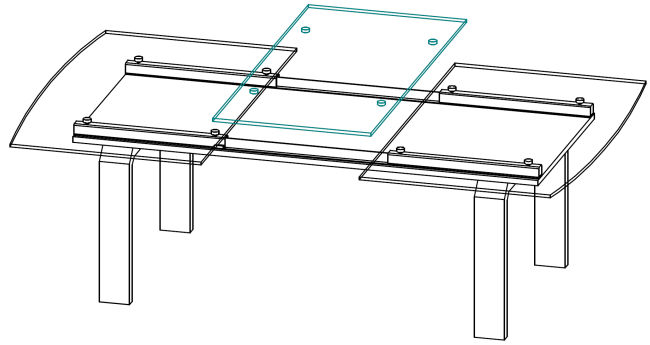
Example of assembly



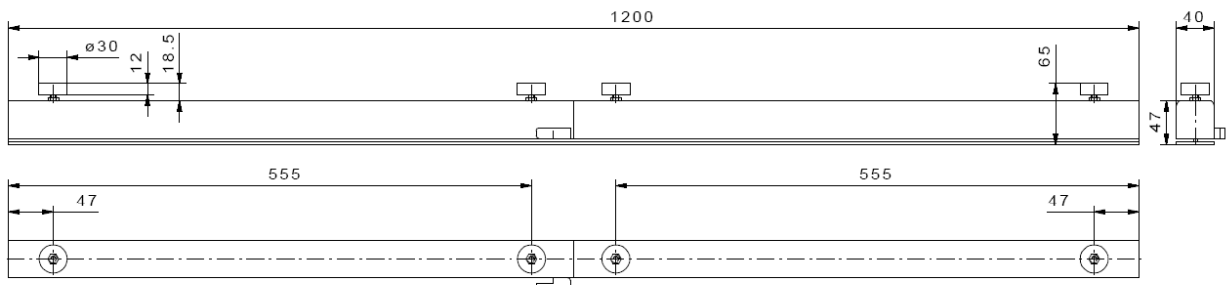
## 4. Special solutions

### 4.2 Glass table: extension “Klara”, synchronic, for 1 leaf insert – width of leaf insert: see table –

accessories for table with 1 leaf insert			
article no.	description	quantity	
see table	extension	2 pcs.	
000.64224.0210	adhesive parts for glass	8 pcs.	



article no.	fitting length “X” mm	total length (with extension) mm	opening max. mm	height “Y” mm	width of leaf inserts mm	number of leaf inserts pcs.	load capacity max. N
42*0001200650	1200	1850	650	65	600	1	600



#### Example of assembly

